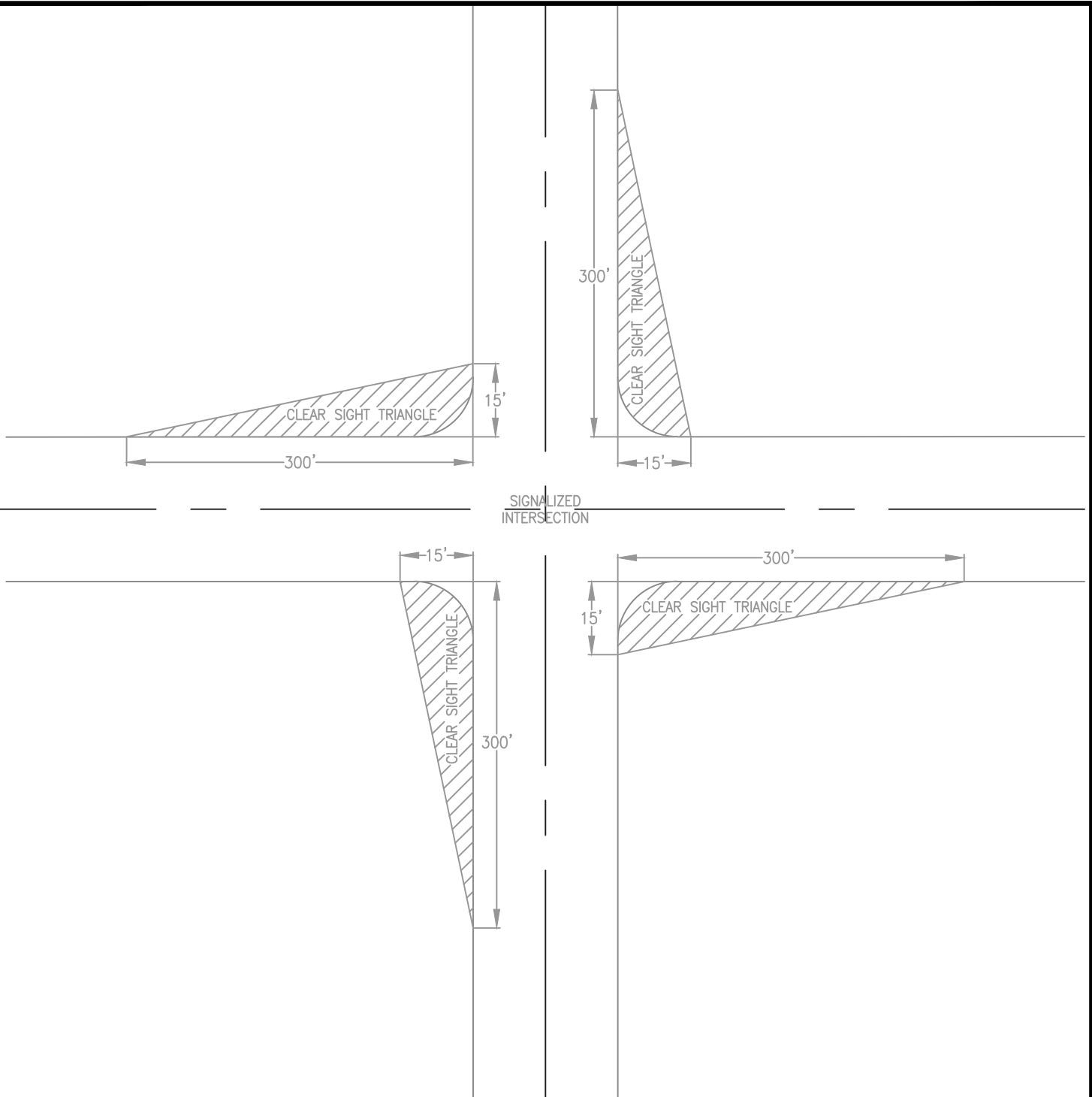



## **STREET DETAILS**

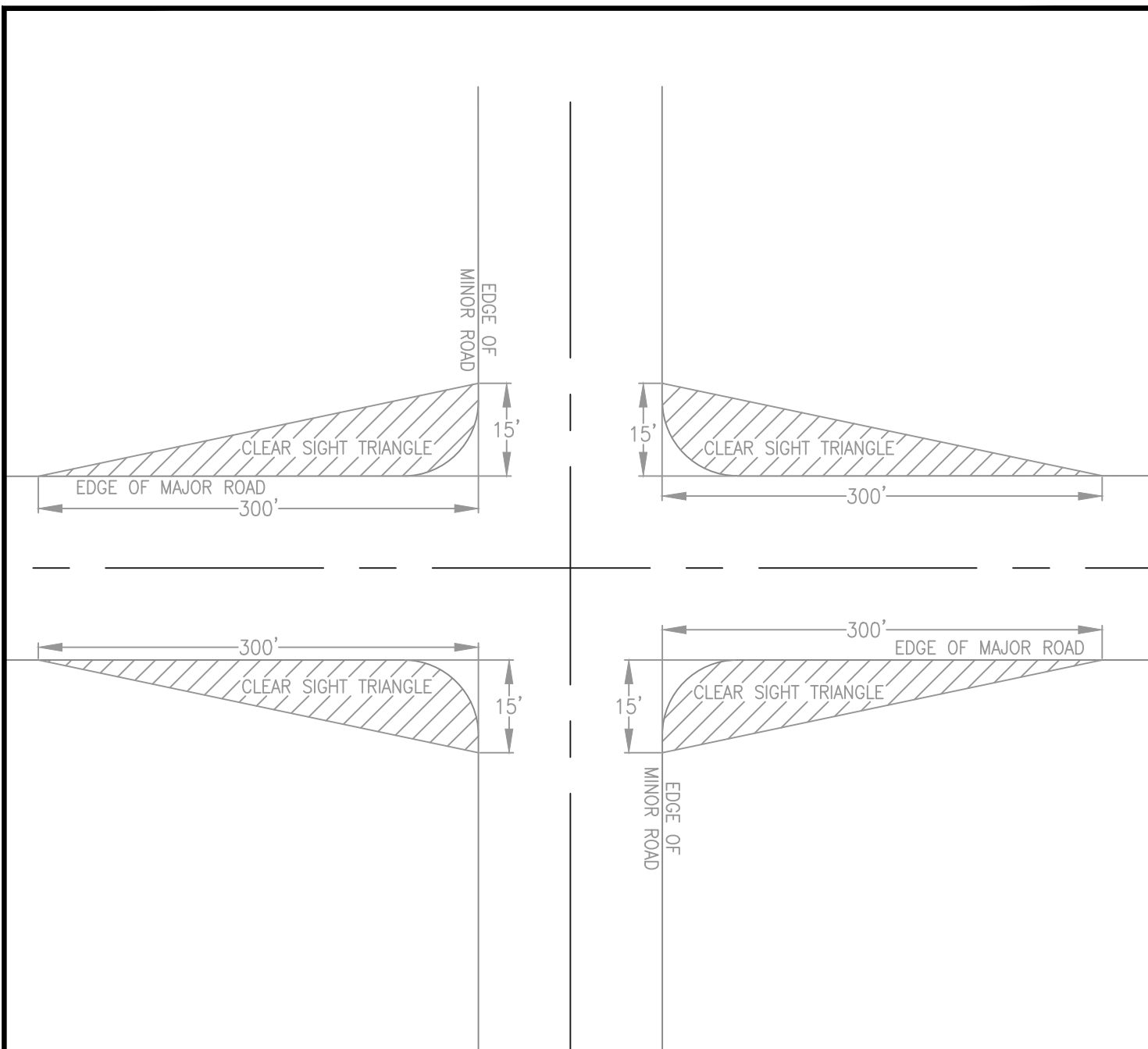
<b><u>TITLE</u></b>	<b><u>DETAIL NUMBER</u></b>
SIGNALIZED SIGHT TRIANGLES	500-1
STOP CONTROLLED SIGHT TRIANGLES	500-2
CURBS	500-3
MAJOR ARTERIAL OPTION 1	500-4
MAJOR ARTERIAL OPTION 2	500-5
MAJOR ARTERIAL OPTION 3	500-6
MAJOR ARTERIAL OPTION 4	500-7
RESIDENTIAL LOCAL	500-8
RESIDENTIAL RURAL	500-9
MINOR ARTERIAL OPTION 1	500-10
MINOR ARTERIAL OPTION 2	500-11
MINOR ARTERIAL OPTION 3	500-13
MINOR ARTERIAL OPTION 4	500-14
COLLECTOR OPTION 1	500-15
COLLECTOR OPTION 2	500-16
COLLECTOR OPTION 3	500-17
COLLECTOR OPTION 4	500-18
COLLECTOR OPTION 5	500-19
COLLECTOR OPTION 6	500-20
NEIGHBORHOOD COLLECTOR OPTION 1	500-21
NEIGHBORHOOD COLLECTOR OPTION 2	500-22
NEIGHBORHOOD COLLECTOR OPTION 3	500-23



NOTE: Sight triangle shown shall be used at signalized intersections. See Detail 500-2 for sight triangles at stop-controlled intersections and driveways.


All objects located within the indicated clear sight triangle shall be no more than 30" tall; tree canopies encroaching in the clear sight triangle shall be no less than 7' above grade. Deviation from the sight triangle shown in these exhibits shall only be permitted if approved in writing by the City's Engineering Division.

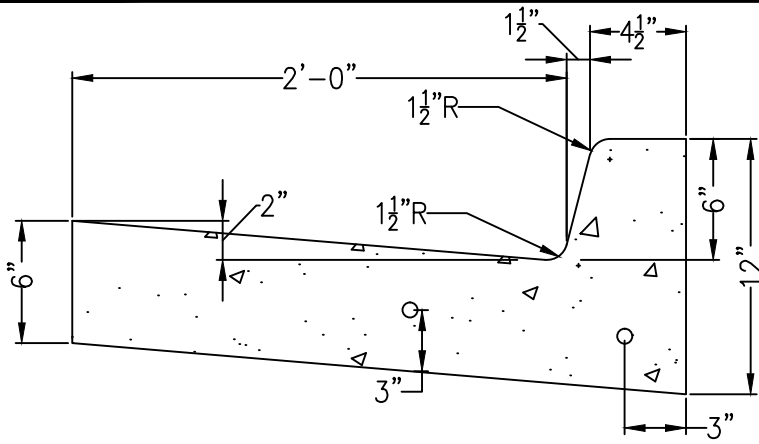
 <b>Brighton</b> <sup>SM</sup> SIGHT TRIANGLES	DATE 5/1/2016 REVISED BY CWB
	DRAWING NUMBER 500-1



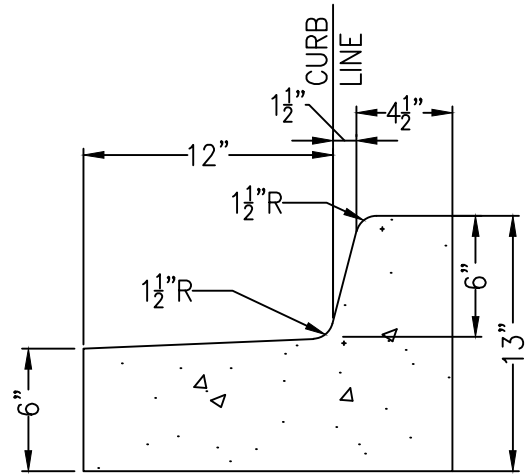
NOTE: Sight triangle shown shall be used at signalized intersections. See Detail 500-2 for sight triangles at stop-controlled intersections and driveways.

All objects located within the indicated clear sight triangle shall be no more than 30" tall; tree canopies encroaching in the clear sight triangle shall be no less than 7' above grade. Deviation from the sight triangle shown in these exhibits shall only be permitted if approved in writing by the City's Engineering Division.

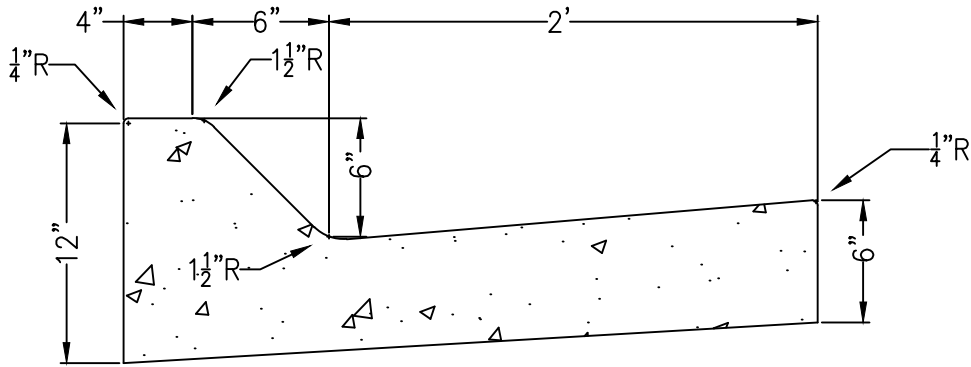
 <b>Brighton</b> <sup>SM</sup> SIGHT TRIANGLES	DATE 5/1/2016 REVISED BY CWB
	DRAWING NUMBER <b>500-2</b>



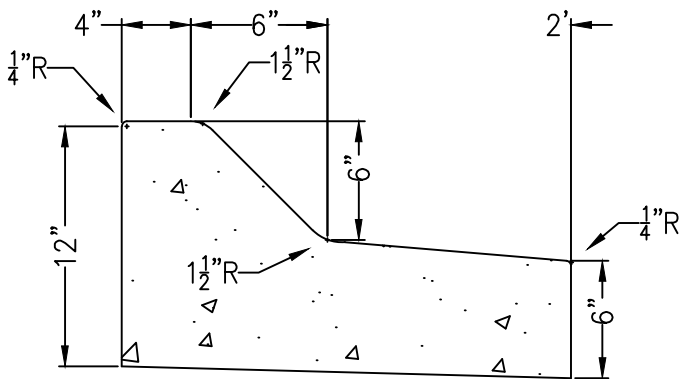
6" VERTICAL CURB & GUTTER



MEDIAN CURB & GUTTER  
(SPILL)



MOUNTABLE CURB & GUTTER



ROUNDBOAT MOUNTABLE  
CURB & GUTTER



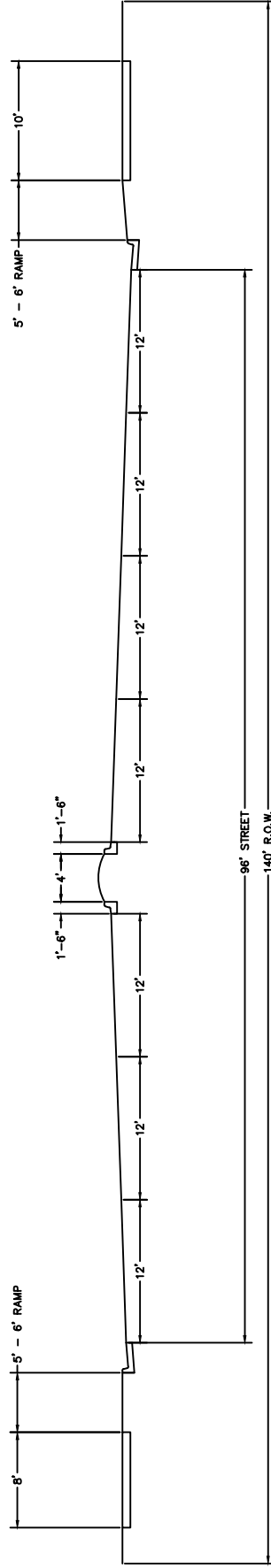
**Brighton**

CURBS

DATE 5/1/2016  
REVISED BY CWB

DRAWING  
NUMBER

500-3

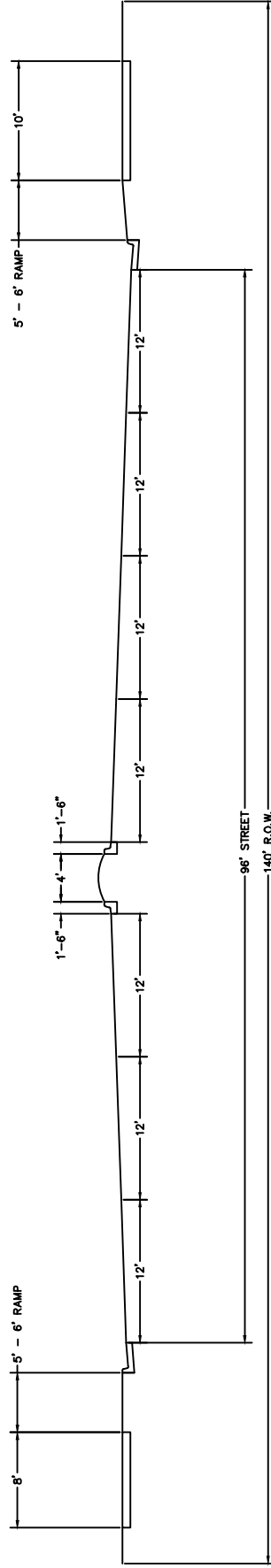


DATE 5/1/2016  
 REVISED BY CWB

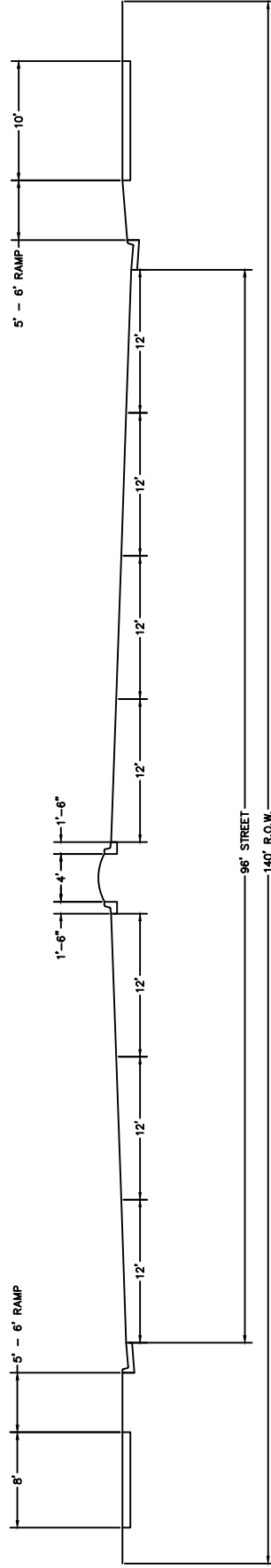


MAJOR ARTERIAL  
 OPTION 1 - BUILD OUT  
 INTERSECTION

500-4



DATE 5/1/2016 REVISED BY CWB	 <p>MAJOR ARTERIAL          OPTION 2 - BUILD OUT          MIDBLOCK          500-5</p>
---------------------------------	--

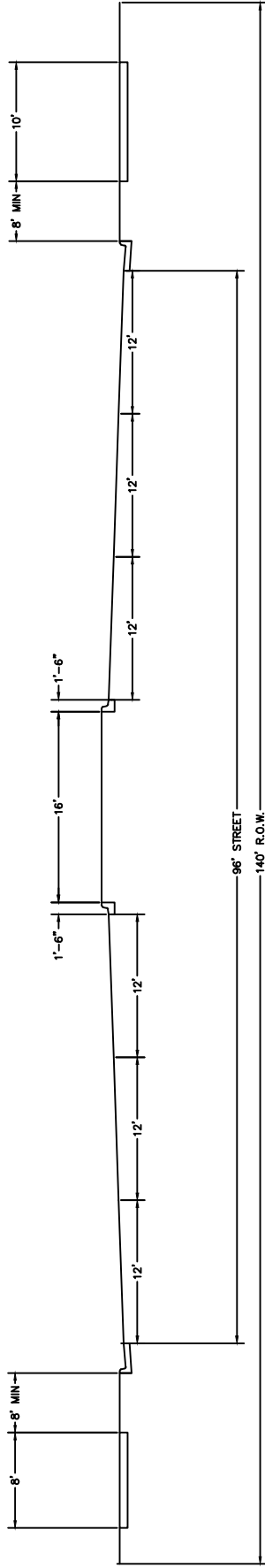


DATE 5/1/2016  
REVISED BY CWB



MAJOR ARTERIAL  
OPTION 3 - INTERIM  
INTERSECTION

DRAWING  
NUMBER  
500-6



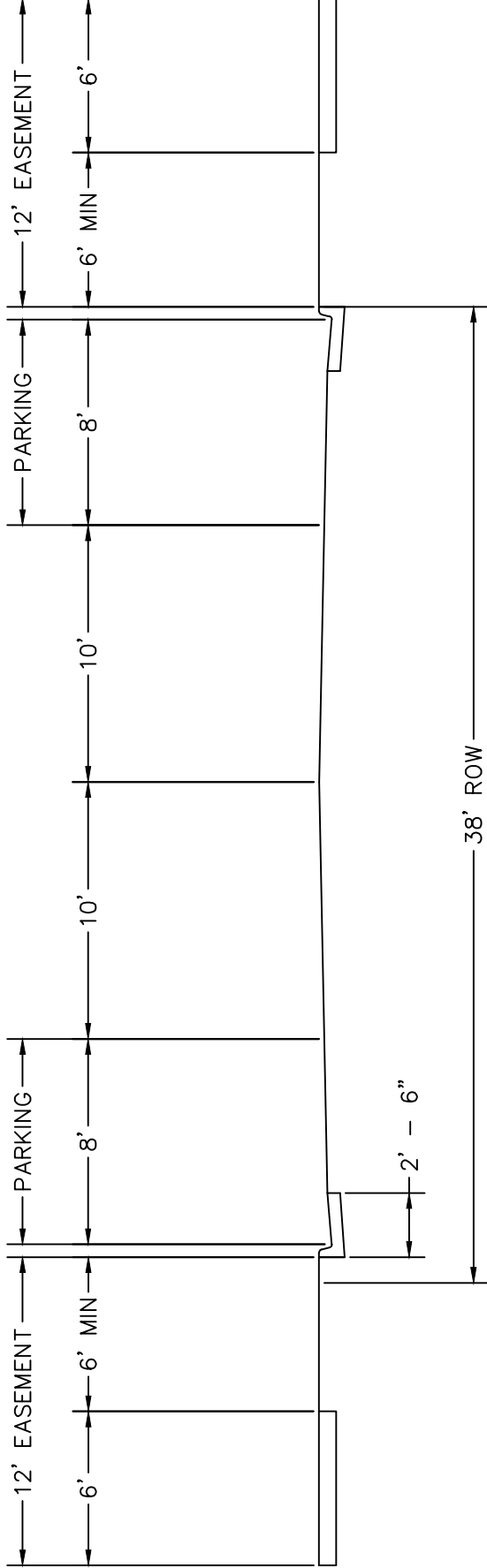
DATE 5/1/2016  
 REVISED BY CWB



MAJOR ARTERIAL  
 OPTION 4 – INTERIM  
 MIDBLOCK

DRAWING  
 NUMBER  
 500-7



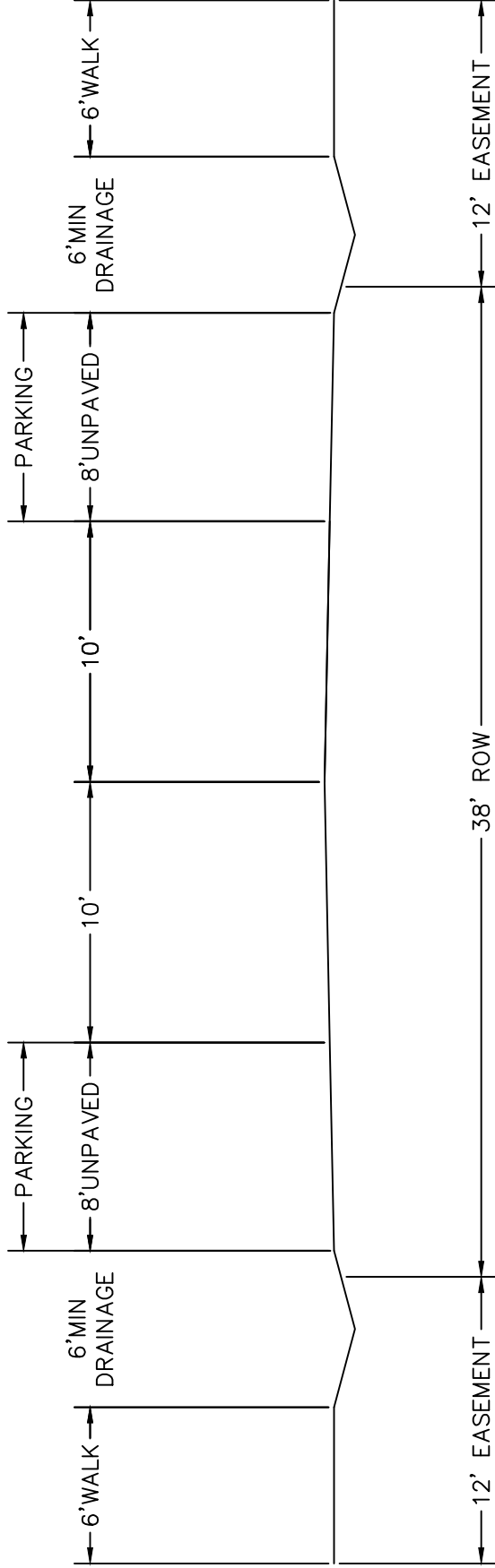


DATE 5/1/2016  
 REVISED BY CWB



LOCAL STREET  
 OPTION 1  
 TYPICAL

DRAWING  
 NUMBER  
 500-8

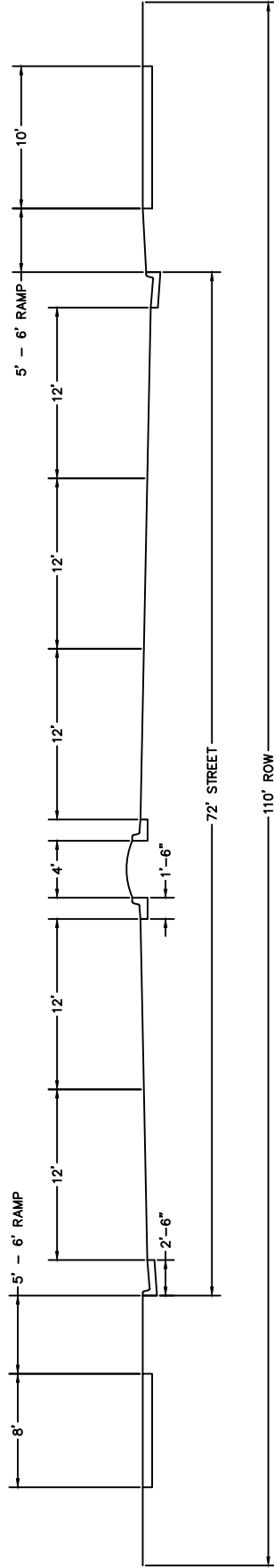


DATE 5/1/2016  
 REVISED BY CWB



LOCAL STREET  
 OPTION 2  
 RURAL

DRAWING  
 NUMBER  
 500-9

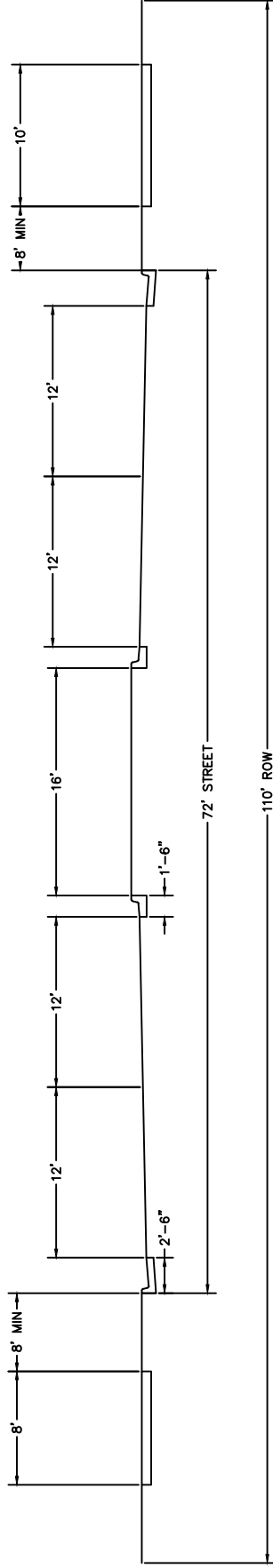


DATE 5/1/2016  
 REVISED BY CWB



MINOR ARTERIAL  
 OPTION 1 - BUILD OUT  
 INTERSECTION

DRAWING  
 NUMBER  
 500-10

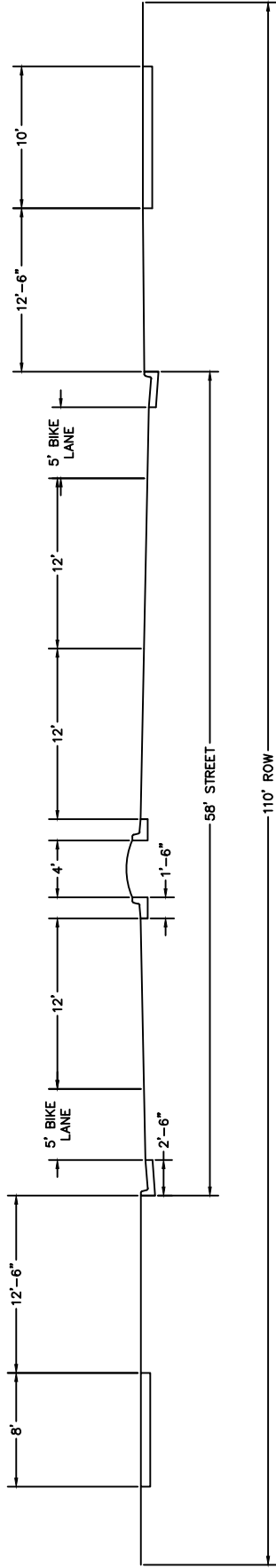


DATE 5/1/2016  
 REVISED BY CWB



MINOR ARTERIAL  
 OPTION 2 - BUILD OUT  
 MIBLOCK

DRAWING  
 NUMBER  
 500-11

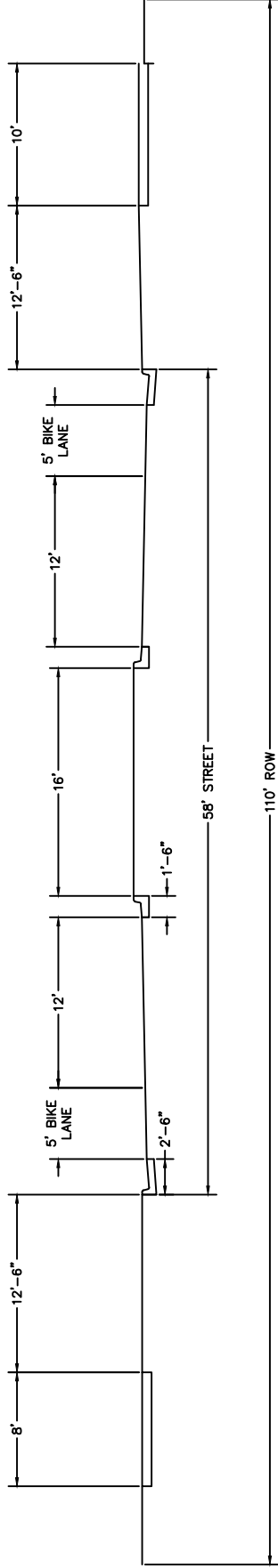


DATE 5/1/2016  
 REVISED BY CWB



MINOR ARTERIAL  
 OPTION 3 - INTERIM  
 INTERSECTION

DRAWING  
 NUMBER  
 500-13

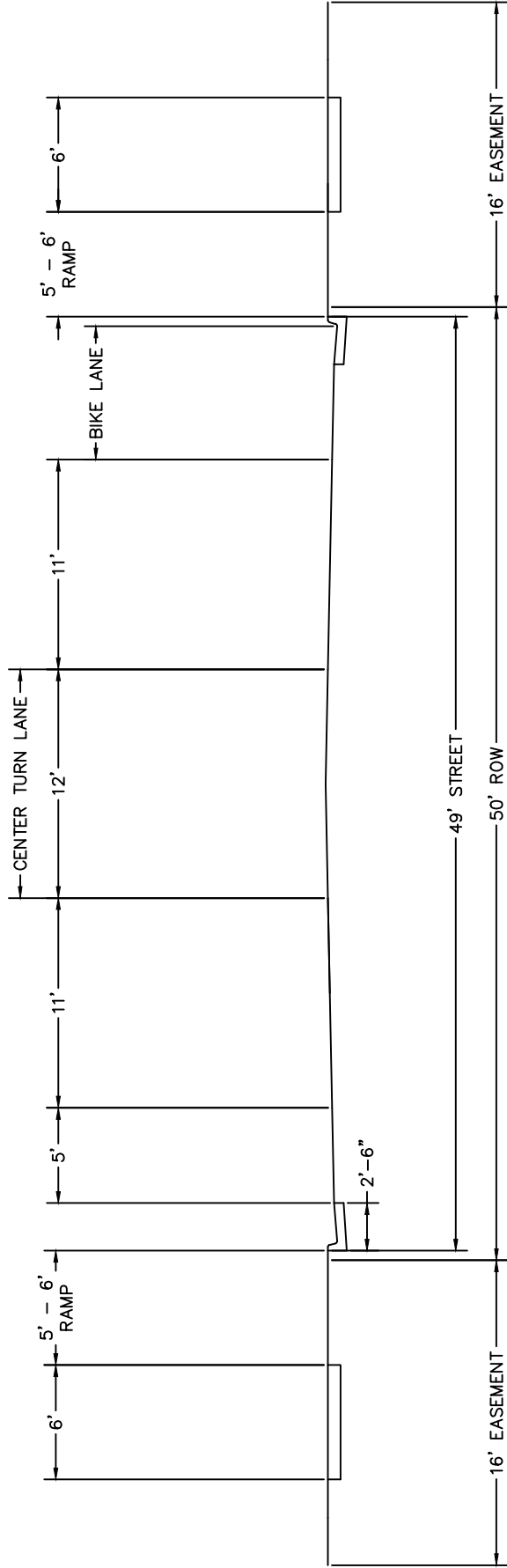


DATE 5/1/2016  
 REVISED BY CWB



MINOR ARTERIAL  
 OPTION 3 - INTERIM  
 MIDBLOCK

DRAWING  
 NUMBER  
 500-14

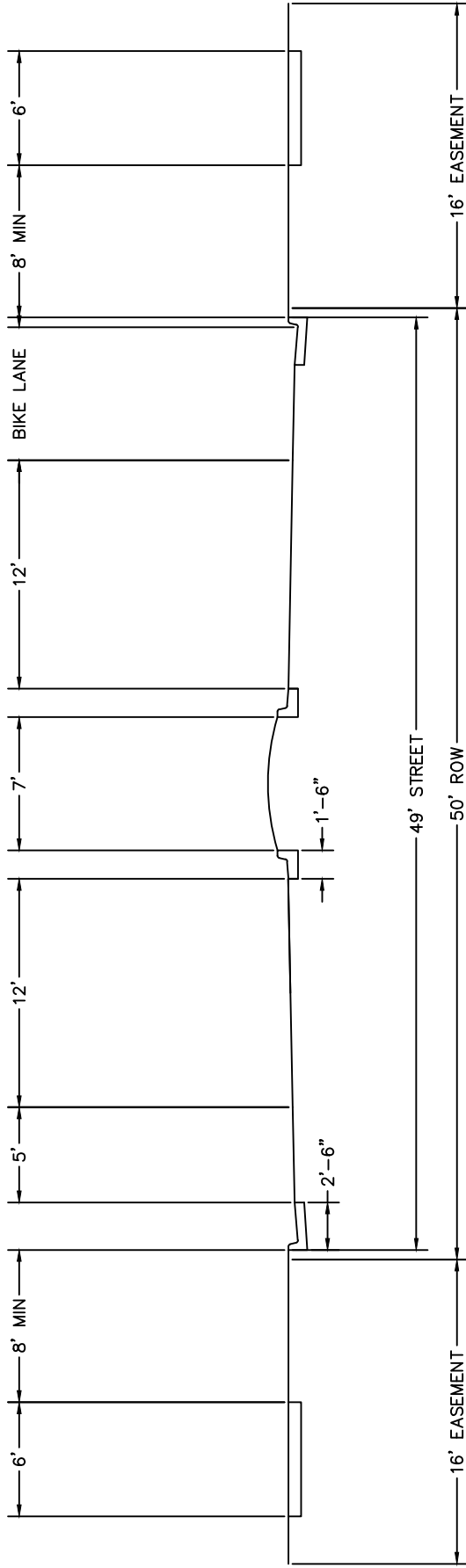


DATE 5/1/2016  
REVISED BY CWB



COLLECTORS  
OPTION 1  
INTERSECTION

DRAWING  
NUMBER  
500-15



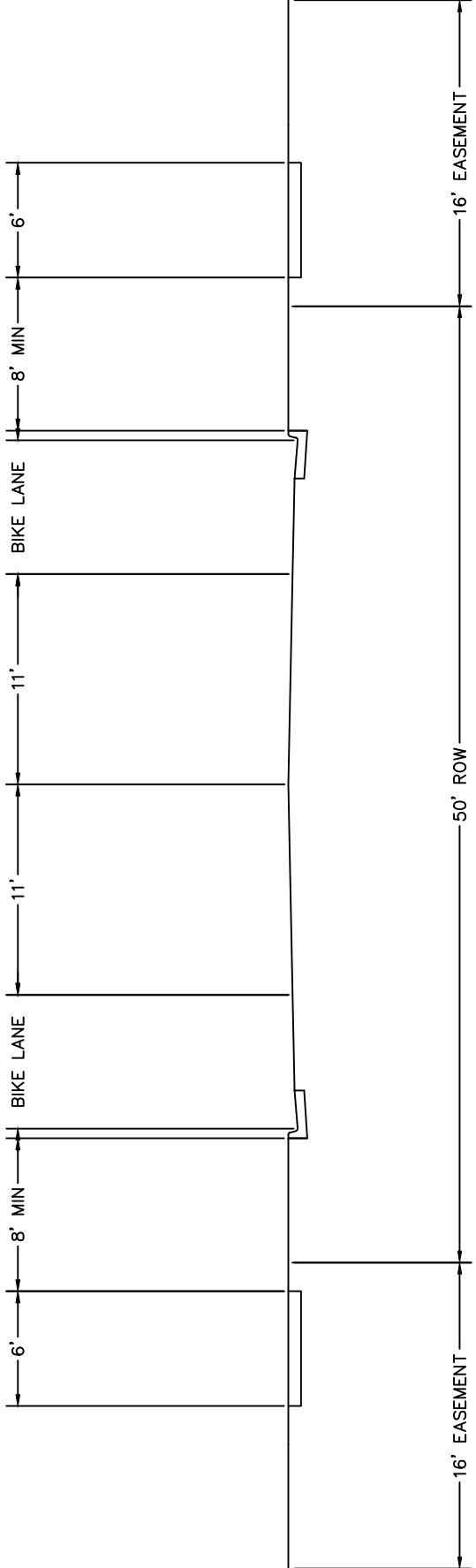
DATE 5/1/2016  
REVISED BY CWB



COLLECTORS  
OPTION 2  
MIDBLOCK

DRAWING  
NUMBER  
500-16



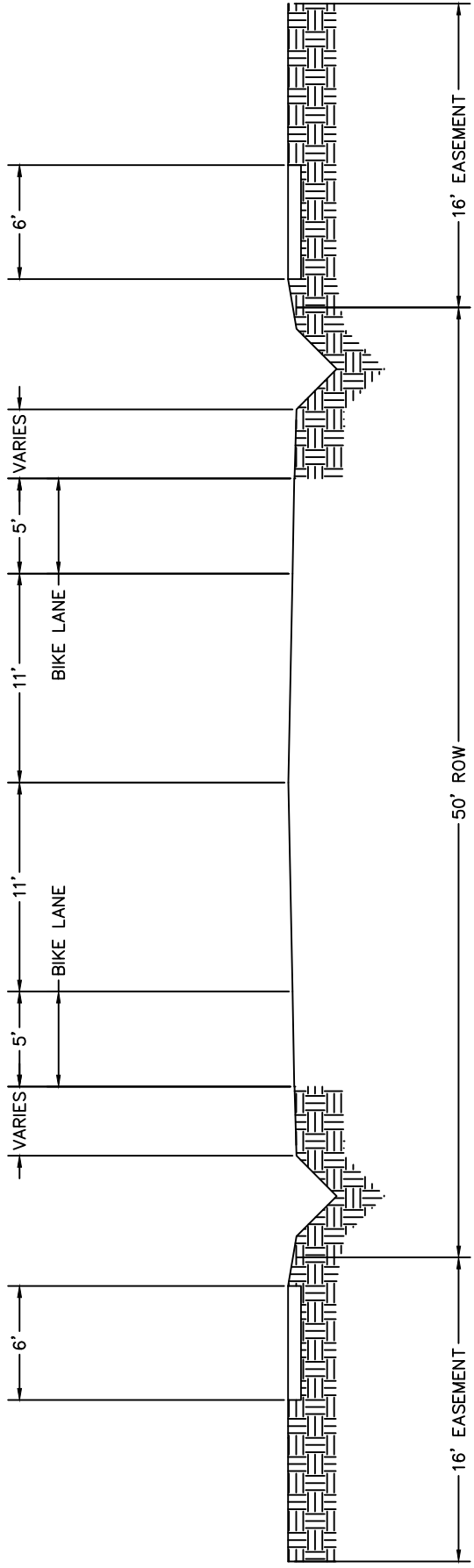


DATE 5/1/2016  
 REVISED BY CWB



COLLECTORS  
 OPTION 3  
 MIDBLOCK

DRAWING  
 NUMBER  
 500-17

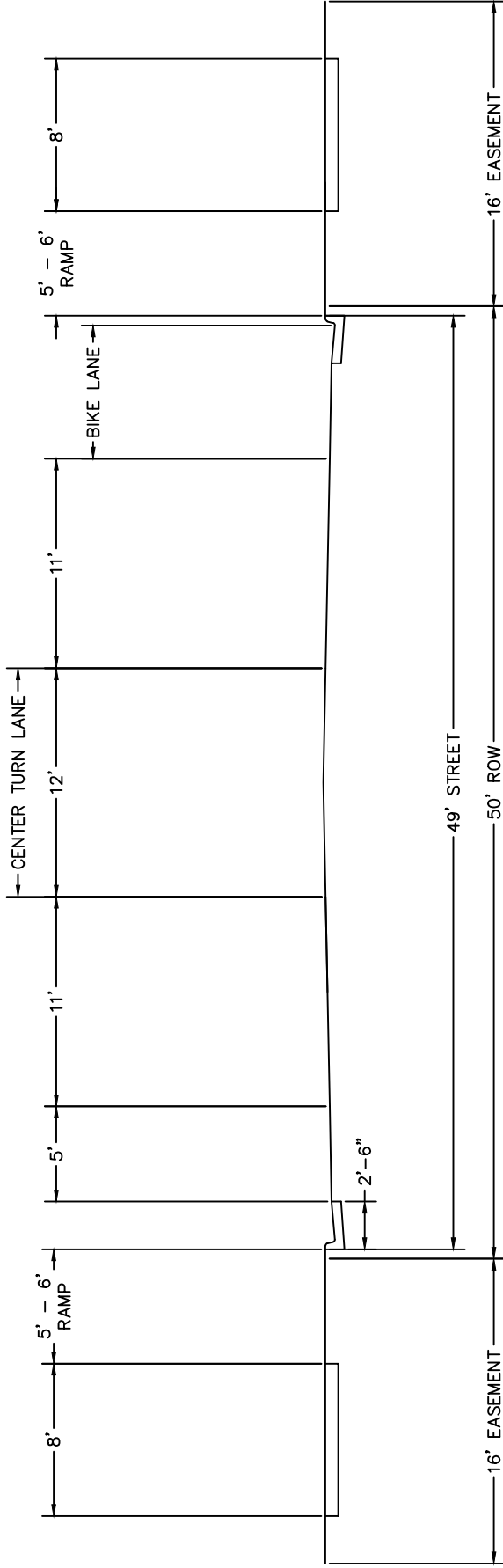


DATE 5/1/2016  
REVISED BY CWB

**Brighton**<sup>®</sup>

COLLECTORS  
OPTION 4  
RURAL ROADWAY

DRAWING  
NUMBER  
500-18

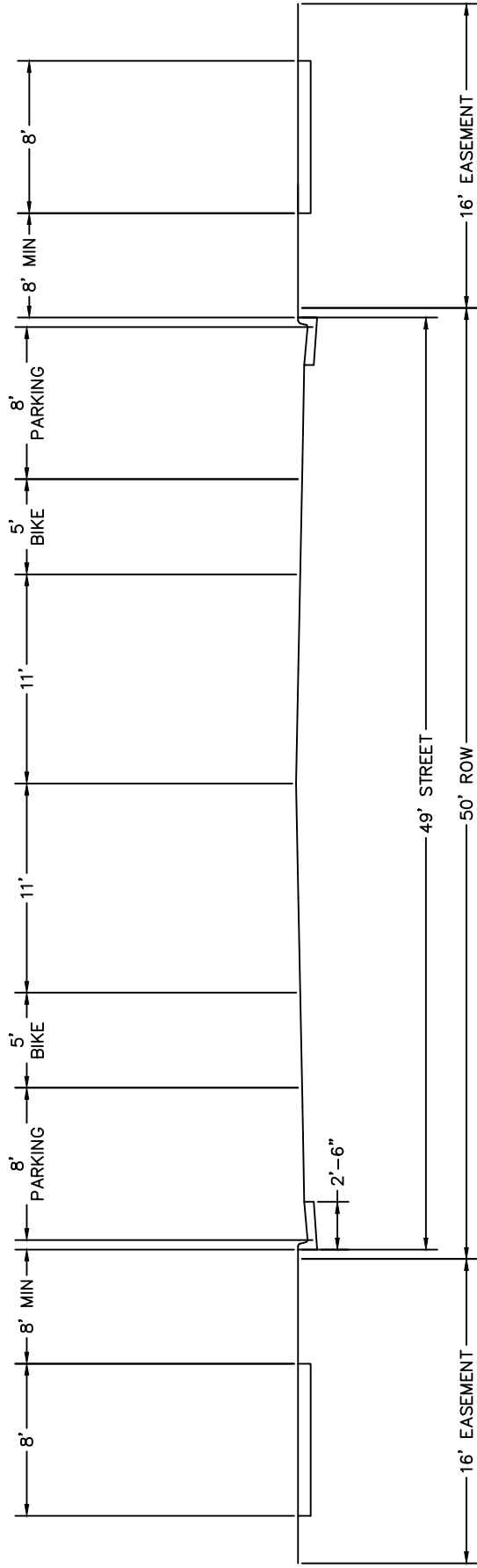


DATE 5/1/2016  
 REVISED BY CWB



COLLECTORS  
 OPTION 5  
 MIXED USE  
 INTERSECTION

DRAWING  
 NUMBER  
 500-19

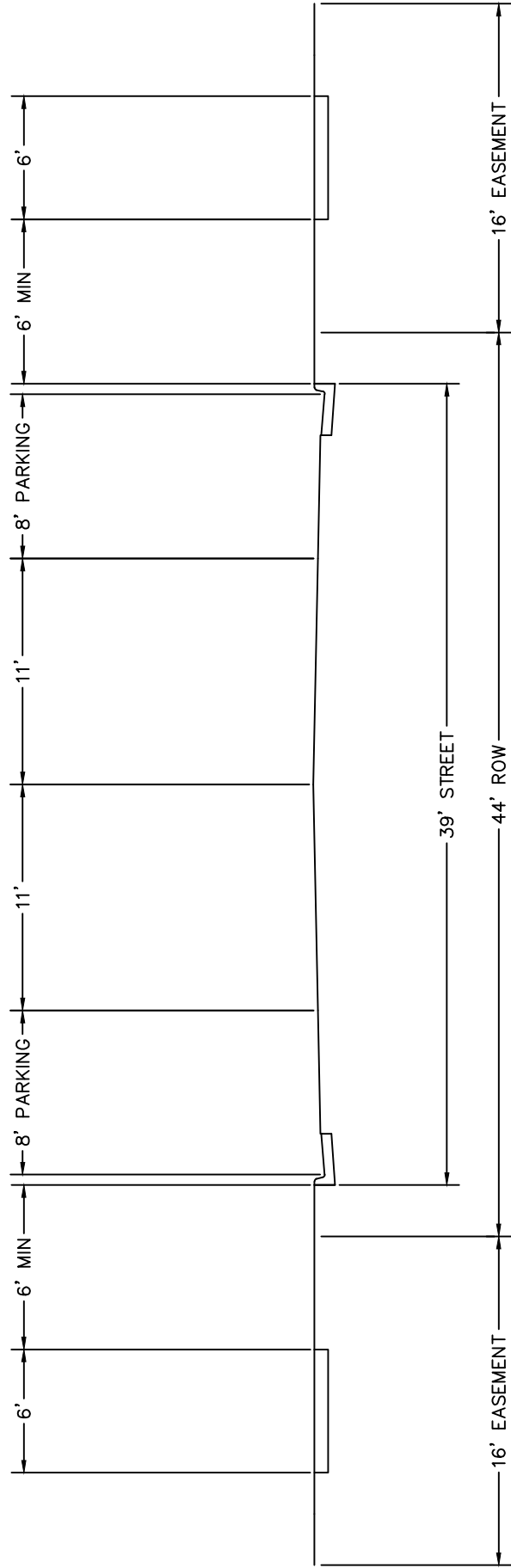


DATE 5/1/2016  
 REVISED BY CWB



COLLECTORS  
 OPTION 6  
 MIXED USE MIDBLOCK

DRAWING  
 NUMBER  
 500-20

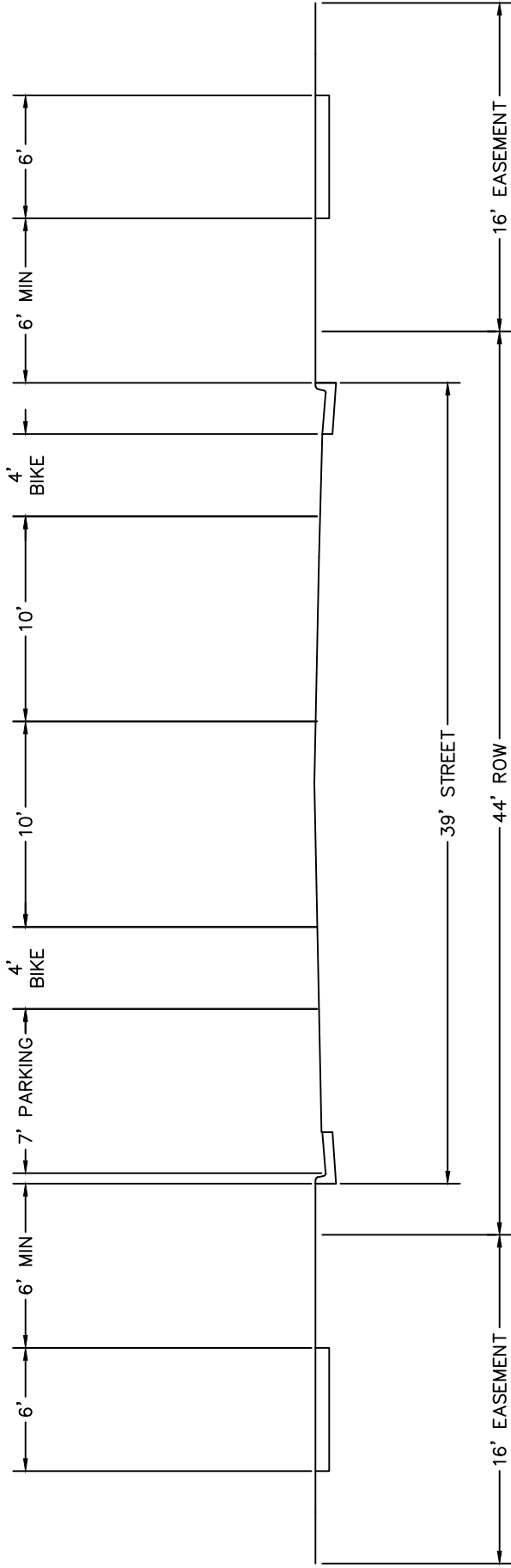


DATE 5/1/2016  
REVISED BY CWB



NEIGHBORHOOD  
CONNECTOR  
OPTION 1  
TYPICAL

DRAWING  
NUMBER  
500-21

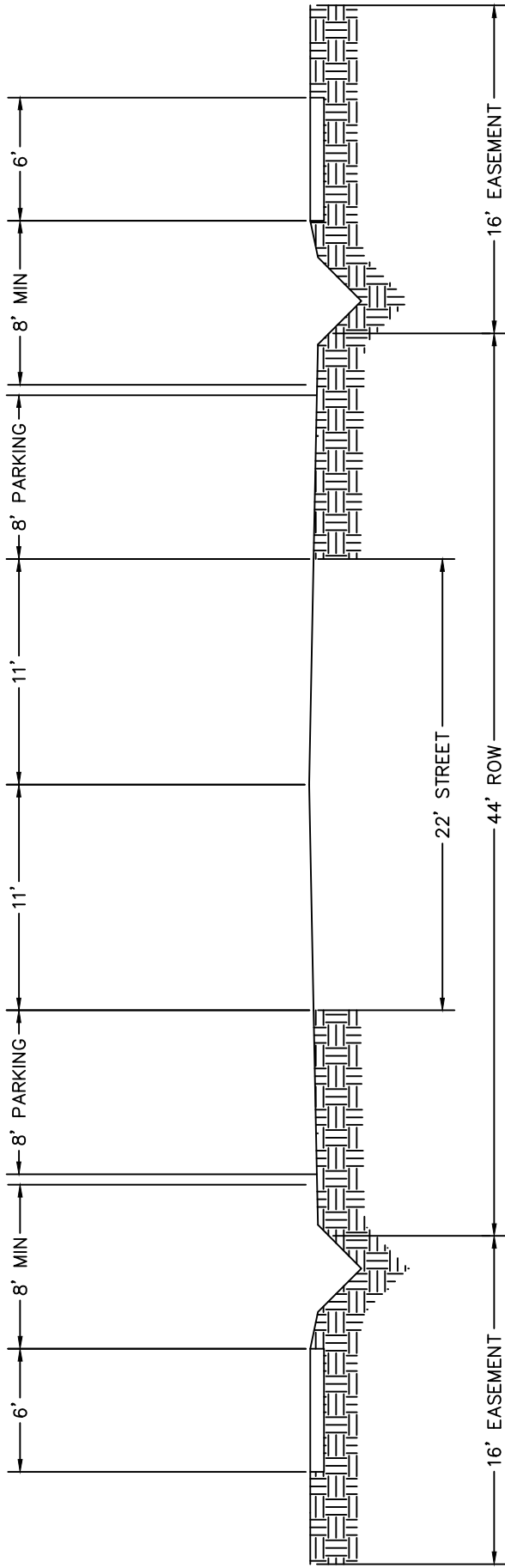


DATE 5/1/2016  
REVISED BY CWB



NEIGHBORHOOD  
CONNECTOR  
OPTION 2  
BICYCLE LANES

DRAWING  
NUMBER  
500-22



DATE 5/1/2016  
 REVISED BY CWB



NEIGHBORHOOD  
 CONNECTOR  
 OPTION 3  
 RURAL

DRAWING  
 NUMBER  
 500-23